

RC-2 Form C Relay Board

Version 1.0

Document Version: 1.00 • 01 MAR 2013

Copyright © 2013 EFX-TEK

DESCRIPTION

The RC-2 is a member of EFX-TEK's family of "amigo" boards: user-friendly, plug-and-play solutions to common prop and display circuit interfacing challenges. The RC-2 provides two Form C relay contacts that allow Normally-Open and Normally-Closed switching of AC and DC loads up to 5A.

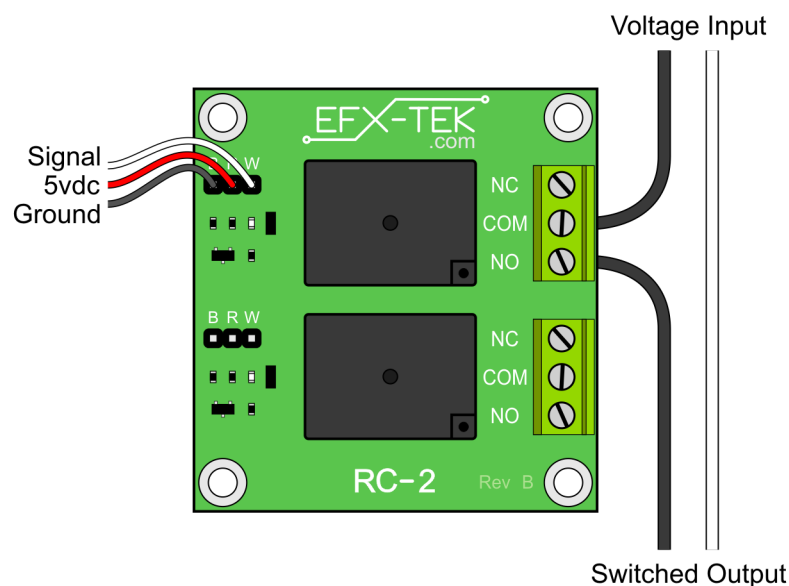
PRODUCT APPLICATIONS

- Museum and educational exhibits
- Holiday props and displays
- Film/TV/Theater effects and prop control

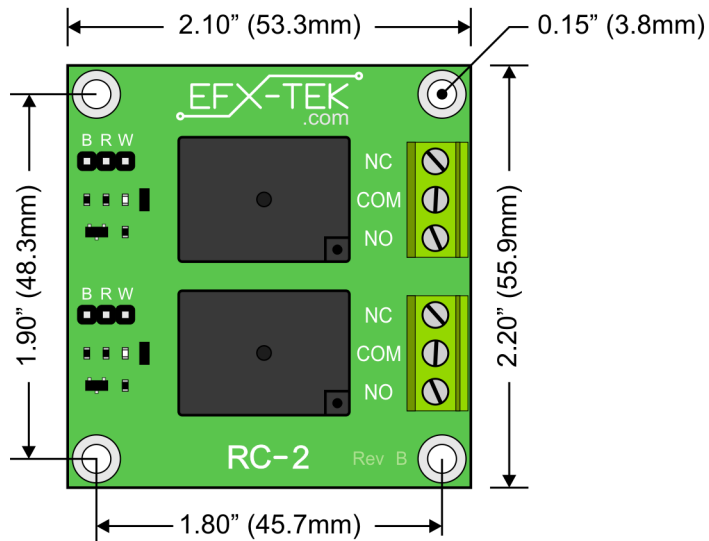
FEATURES & BENEFITS

- Plug-and-Play connection to most EFX-TEK controllers
 - uses standard WRB input header; terminal block control output
 - compatible with 5v (BASIC Stamp, Arduino) and 3.3v (Propeller) processors
- LED for each input indicates presence of 3.3v-5v control signal
- Low-current operation; less than 100mA per relay at 5vdc
- Output control: 240 VAC, 28 VDC (inductive); 5A max
- Compact size: 2.1" x 2.2" (53.3mm x 55.9mm); 0.15" (3.8mm) mounting holes

CONNECTIONS



MECHANICAL SPECIFICATIONS



ELECTRICAL SPECIFICATIONS

Parameter	Symbol	Specification			Unit
		Min.	Typical	Max.	
Control Signal Voltage	V_{CTRL}	3	5	5.25	VDC
Control Signal Current	I_{CTRL}			5	mA
Supply Voltage	V_{IN}	4.75	5	5.25	VDC
Supply Current (both relays active)	I_{IN}			200	mA
Relay Voltage (AC)	VR_O			240	VAC
Relay Voltage (DC, Inductive Load)	VR_O			28	VDC
Relay Current	IR_O			5	A

PRODUCT CHANGES

01 MAR 2013 First production release.
PCB marked **Rev B**